



RedEdge-MX™ & Altum™ DJI Inspire 2 Quick Mount INTEGRATION GUIDE



Table of Contents

Thank you for your purchase!	2
What's inside?	2
What's Required?	3
Let's get started!	3
Attaching DLS 2 mast assembly	3
RedEdge-MX Instructions	4
Attaching the RedEdge-MX and the Mount	4
Attaching the RedEdge-MX and DLS 2 to the Inspire	5
Altum Instructions	7
Attaching the Altum and the Mount	7
Attaching the Altum and DLS 2 to the Inspire	8
Support	9

Thank you for your purchase!

These instructions show how to integrate the MicaSense RedEdge-MX and/or Altum with a DJI Inspire 2. It covers attaching mounting brackets included in the kit, powering the camera from the host system, and placement of the Downwelling Light Sensor (DLS 2) unit.



Warning: This kit is not intended for any other RedEdge models other than the RedEdge-M/MX or Altum. Damage will occur if any other RedEdge model is connected.

What's inside?

1. Quick Mount Adapter (Qty 1)
2. 6-pin cable (Qty 1)
3. Sensor Mounting Plate (Qty 1)
4. Go-Pro Mount Adapter (Qty 1)
5. M 2.5 X 0.45, 16 mm Screws (Qty 2)
6. M 3 X 8 mm Screws (Qty 4)
7. M 2 X 8 mm Screws (Qty 4)
8. Alcohol wipe (Qty 1)
9. Zip Ties (Qty 6)
10. Double sided tape (Qty 2)
11. DLS 2 Mounting plate (Qty 1)
12. Connector Board (Qty 1)
13. DJI Zenmuse XT Adapter



Images shown are not to scale

What's Required?

- #1 Phillips Screwdriver
- Cutting tool - such as scissors or diagonal cutter
- 1.5 mm hex wrench
- 2 mm hex wrench

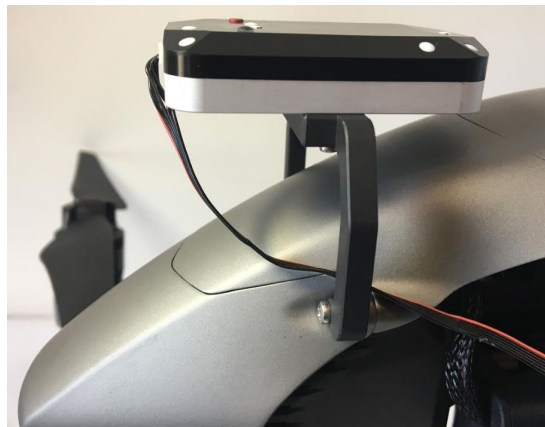
Let's get started!



Warning: Installation of this kit into a drone should be done by an experienced person, in adherence with all recommendations and guidelines of the Inspire manufacturer. Before assembling this kit, ensure the Inspire is not powered, has the battery removed, and the rotor blades removed. Failure to follow these instructions can result in injury and/or damage to the Inspire, RedEdge-M/MX, or Altum.

Attaching DLS 2 mast assembly

1. Mount the DLS 2 unit on top of the mast using the provided M2 X 8 (Qty 2) screws.
2. Using the appropriate Allen key, remove the two M2.5 screws from the drone to install DLS2 mounting plate (see image below)
3. Secure the mast to the top of the Inspire 2 using the provided M2.5 X 16 (Qty 2) screws making sure the DLS 2 connector is oriented toward the front of the drone.
4. Use zip ties to secure any loose wires.



DLS 2 mounted on Inspire 2

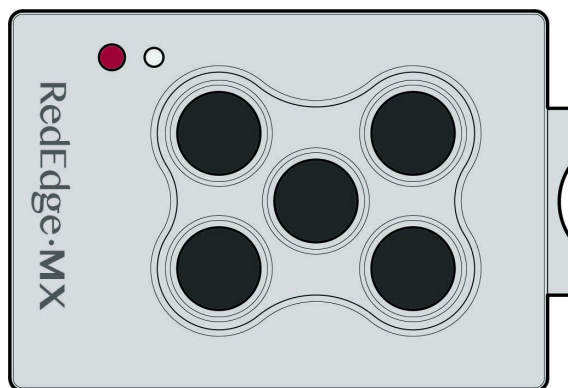


Showing DLS2 mast mounted on Inspire 2 with DLS 2 connector facing forward



Warning: Failure to properly secure loose wires may lead to interference with the aircraft propellers. This may damage the Inspire, RedEdge-MX/Altum, or both.

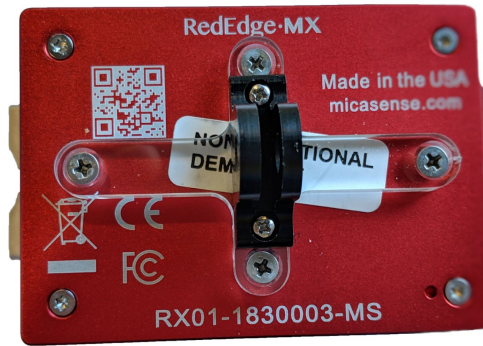
RedEdge-MX Instructions



Attaching the RedEdge-MX and the Mount

1. Locate the four M3 x 8 mm flat-head screws and sensor mounting plate.
2. Peel off the brown protective paper from the sensor mounting plate.
3. Using the countersink screw holes, attach the mount to the back of the RedEdge-MX.

4. Locate the two M2 x 8 mm screws and the Go-Pro mount adapter.
5. Attach the Go-Pro mount adapter to the sensor mounting plate.
6. Locate the Quick Mount adapter and remove the thumbscrew.
7. Attach the Go-Pro mount adapter of the assembled sensor mounting plate to the Quick mount adapter and secure it with the thumbscrew.
8. Connect the Quick Mount cable to the RedEdge-MX "PWR/TRG" port.



Mounting Bracket attached to RedEdge-MX



Fully connected Quick Mount

Attaching the RedEdge-MX and DLS 2 to the Inspire

Once assembled, the Quick Mount can quickly and easily be installed or removed from the Inspire. Power is provided by the Inspire via the Quick Mount.

1. Attach the assembled Quick Mount (with connected RedEdge-MX) to the Inspire using the DJI lock mechanism on the Inspire.

2. Plug the DLS 2 cable from the DLS 2 port to the connector board.
3. Using the provided shorter 6-pin cable, connect the RedEdge-MX "DLS" port to the connector board.

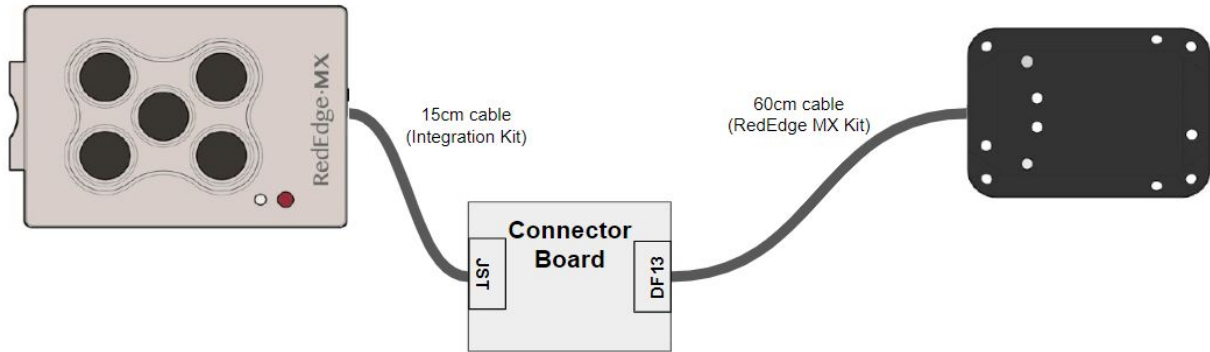


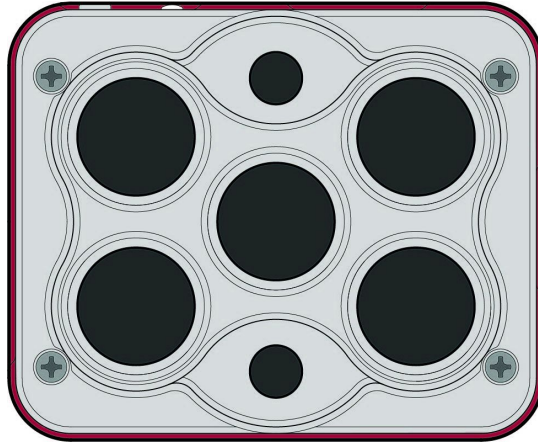
Diagram: RedEdge-MX to Connector Board to DLS 2

4. Secure the connector board using the double sided tape in a safe location.
5. Angle the camera so that, while flying forward, it will point nadir (straight down). The forward-tilt angle can vary by aircraft, but it is typically 8° to 12°.
6. Use zip ties to secure any loose wires.



Warning: Failure to properly secure loose wires may lead to interference with the aircraft propellers. This may damage the Inspire, RedEdge-MX/Altum, or both.

Altum Instructions



Attaching the Altum and the Mount

1. Locate the four M3 x 8 mm flat-head screws and sensor mounting plate.
2. Peel off the brown protective paper from the sensor mounting plate.
3. Using the countersink screw holes, attach the mount to the back of the Altum.
4. Locate the two M2 x 8 mm screws and the Go-Pro mount adapter.
5. Attach the Go-Pro mount adapter to the sensor mounting plate.
6. Locate the Quick Connect mount and remove the thumbscrew.
7. Attach the Go-Pro mount adapter of the assembled sensor mounting plate to the Quick mount adapter and secure it with the thumbscrew.
8. Connect the Quick Mount cable to the Altum wire harness.



MicaSense Altum connected to Quick Mount

Attaching the Altum and DLS 2 to the Inspire

Once assembled, the Quick Mount can quickly and easily be installed or removed from the Inspire. Power is provided by the Inspire via the Quick Mount.

1. Attach the assembled Quick Mount (with connected Altum) to the Inspire using the DJI lock mechanism on the Inspire.
2. Plug the DLS 2 cable from the DLS 2 port to the connector board.
3. Using the provided shorter 6-pin cable, connect the Altum "DLS" wire harness to the connector board.

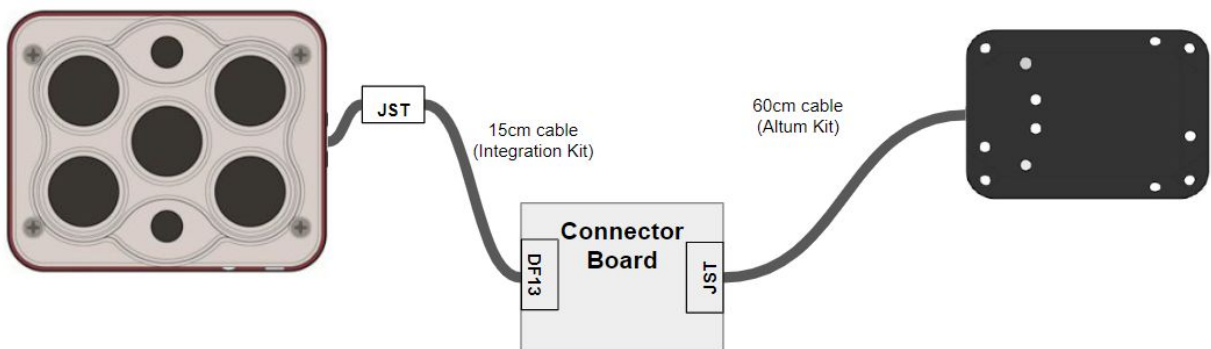


Diagram: Altum to Connector Board to DLS 2

4. Secure the connector board using the double sided tape in a safe location.
5. Angle the camera so that, while flying forward, it will point nadir (straight down). The forward-tilt angle can vary by aircraft, but it is typically 8° to 12°.
6. Use zip ties to secure loose wires to prevent entanglement.



Warning: Failure to properly secure loose wires may lead to interference with the aircraft propellers. This may damage the Inspire, RedEdge-MX/Altum, or both.

Support

For other RedEdge-MX or Altum associated integration guides, please visit our Knowledge Base at support.micasense.com

For additional questions, please contact support@micasense.com

MicaSense RedEdge-MX & Altum Quick Mount for DJI Inspire 2 Instructions.

The contents of this manual are subject to change without notice.

MicaSense, Inc. assumes no liability for incidental or consequential damages arising from the use of this product, and any claims by a third party.

Copying of the contents of this manual, in whole or in part, as well as the scanner applications is prohibited under the copyright law.

DISCLAIMER OF WARRANTIES AND LIMITATION OF LIABILITY

MICASENSE MAKES NO REPRESENTATION OR WARRANTY, EXPRESS OR IMPLIED, WITH RESPECT TO MICASENSE ACCESSORIES. MICASENSE DISCLAIMS ANY LIABILITY FOR INDIRECT, CONSEQUENTIAL, PUNITIVE, OR SPECIAL DAMAGES, INCLUDING WITHOUT LIMITATION DAMAGES FOR LOST DATA, LOST REVENUE, LOST PROFITS, OR REPLACEMENT PRODUCT COSTS ARISING OUT OF THE PURCHASE, USE, OR PERFORMANCE OF THE MICASENSE ACCESSORIES, UNDER ANY THEORY OF LIABILITY, EVEN IF MICASENSE HAS BEEN ADVISED OF THE POSSIBILITY OF SUCH DAMAGES. MICASENSE DISCLAIMS ANY IMPLIED WARRANTY OF MERCHANTABILITY OR FITNESS FOR A PARTICULAR PURPOSE, AND DISCLAIMS ANY IMPLIED WARRANTY ARISING FROM A COURSE OF PERFORMANCE, DEALING, USAGE, OR TRADE PRACTICE. THE PRICE OF PRODUCTS DISTRIBUTED BY MICASENSE OR ITS AUTHORIZED DEALERS REFLECTS THE ALLOCATION OF RISK ARISING FROM THE WARRANTY EXCLUSIONS AND THIS DISCLAIMER AND LIMITATION OF LIABILITY.

It's simple to plan a successful mission



FLY

The MicaSense sensors low weight, low power requirements, and ability to capture RGB and narrowband spectral bands simultaneously means you can gather the data you need in fewer flights. Have multiple UAVs? MicaSense sensors quickly integrate with many different drone platforms.



PROCESS

With MicaSense sensors, you own your data. You're not limited to a particular processing platform. You can choose whichever platform is best for you, your customer, or your project.



ANYWHERE

We know you need tools you can rely on. That's why we built the sensors we wanted in the field—predictable, tough, and reliable—so you can gather the data you need when you need it.



ANALYZE

RedEdge-MX and Altum have five bands—blue, green, red, red edge, and near-infrared—that our research showed were optimal for sensing crop health. It simply shows you more. And with MicaSense Atlas, you can see many different analytical layers in one easy to use interface, and compare these outputs across time.

To learn more about Atlas or to start a free trial, please visit micasense.com/atlas



SIGN UP

Visit atlas.micasense.com to create your free MicaSense ATLAS account.



DOWNLOAD

Download MicaSense Sensor user manuals, integration guides and support resources via your ATLAS account.



CONTACT

Support@micasense.com US based MicaSense support is here to help.



Located in Seattle, Washington, MicaSense delivers integrated solutions for data gathering, processing, and analytics across the global agriculture market. With decades of expertise in widely varied UAV applications, the MicaSense team is redefining remote sensing technology and pioneering new ways to collect and analyze information.

MicaSense RedEdge-MX/Altum QuickConnect DJI Inspire 2 Integration Guide
Rev 02 – July 2019
P/N: 805-00044

Revision History

Revision	Description	Date
01	Initial Release	07 Dec 2018
02	DLS 2 mounting plate and kit content updated	29 July 2019